

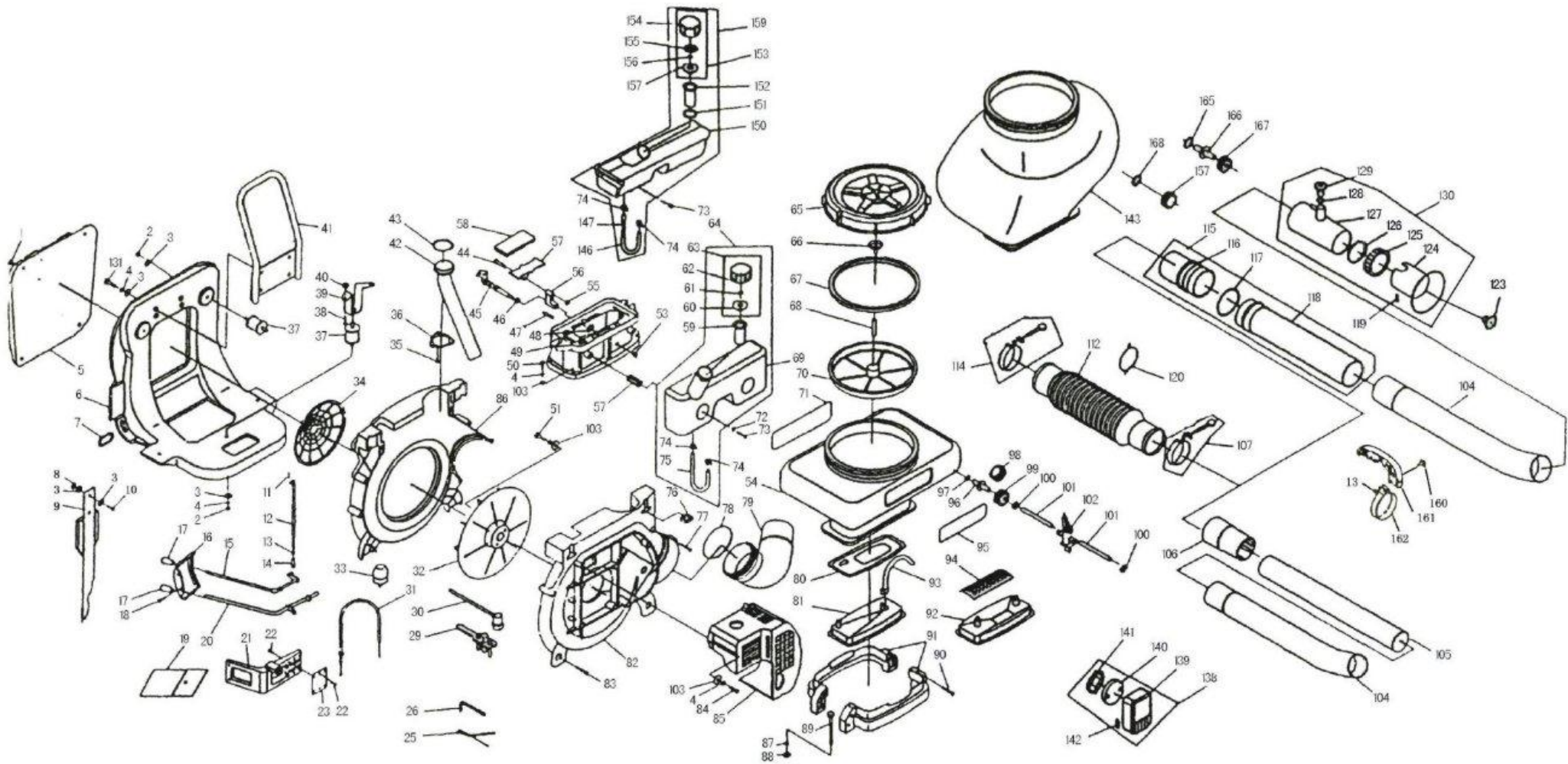
¡ Únete al Equipo MPOWER !

MPOWER

FUMIGADORA PARA LÍQUIDOS Y POLVO 3WF16

**GUÍA BÁSICA
DE PIEZAS
M P O W E R**





FUMIGADORA PARA LÍQUIDOS Y POLVO 3WF16



| No. DE CAT. | CODIGO | DESCRIPCION | CANTIDAD |
|-------------|---------------------|------------------------|----------|
| 1 | 3WF-2.6B-2 | CLIP NYLON | 5 |
| 2 | GB/T6170-M6 | TUERCA | 5 |
| 3 | GB/T96.2-6 | RONDANA | 10 |
| 4 | GB/T93-6 | RONDANA | 17 |
| 5 | 3WF-3.11 | RESPALDO | 1 |
| 6 | EB-415.16-1 | MARCO | 1 |
| 7 | EB-415.16-2 | PRESILLA | 2 |
| 8 | GB/T6177.1-M6 | TUERCA | 2 |
| 9 | 3WF-2.6A.5 | ENSAMBLE CORREA | 2 |
| 10 | GB/T818-M6x16 | TORNILLO | 2 |
| 11 | 3WF-2.6A-2 | PERNO | 1 |
| 12 | 3WF-3-12 | VARILLA DE JALE | 1 |
| 13 | GB/T6170-M5 | TUERCA | 1 |
| 14 | 3WF-3-15 | CONECTOR | 1 |
| 15 | 3WF-3.3 | PALANCA DE POLVO | 1 |
| 16 | 3WF-3-4 | GRADUADOR | 1 |
| 17 | 3WF-3-5 | PALANCA | 2 |
| 18 | GB9074.4-M5x12 | TORNILLO | 2 |
| 19 | BG415.9.1 | BOLSA DE TRABAJO | 1 |
| 20 | 3WF-3.4 | PALANCA DE ACELERACION | 1 |
| 21 | 3WF-3.2 | SOPORTE DEL MARCO | 1 |
| 22 | GB9074.4-M5x12 | TORNILLO | 6 |
| 23 | 3WF-3-16 | PLACA | 1 |
| 25 | 3WF-3.25.4 | SEGURO DE LA CADENA | 1 |
| 26 | GB/T5356-S=4 S=5 | LLAVE ALLEN | 1 |
| 29 | 3WF-3.26.1A | DESMONTAJE | 1 |
| 30 | 3WF-3.26.3 | LLAVE DE TUERCAS | 1 |
| 31 | 3WF-3.25.1 | CUERDA DEL ACELERADOR | 1 |
| 32 | 3WF-3-13 | IMPULSOR | 1 |
| 33 | 3WF-2.6A.7 | AMORTIGUADOR DE GOMA | 3 |
| 34 | 3WF-3-14 | CUBIERTA VENTILADOR | 1 |
| 35 | GB/T845-ST4.2x13 | TORNILLO | 3 |
| 36 | 3WF-3-8 | JUNTA | 1 |
| 37 | 3WF-2.6A.6 | AMORTIGUADOR DE GOMA | 3 |
| 38 | GB/T9074.4-M5x20 | TORNILLO | 2 |
| 39 | EB-415.19 | SOPORTE | 1 |
| 40 | 3WF-3-18 | RONDANAS DE CONEXIÓN | 2 |

| No. DE CAT. | CODIGO | DESCRIPCION | CANTIDAD |
|-------------|-------------------|-----------------------------------|----------|
| 41 | 3WF-3.9 | CINTURON DE MARCO | 1 |
| 42 | 3WF-3-7 | TUBO | 1 |
| 43 | 3WF-3-9 | SELLO DEL TUBO | 1 |
| 44 | 3WF-3.6-3 | PERNO | 1 |
| 45 | 3WF-3-22 | EJE DE BALANCIN | 1 |
| 46 | GB/T1235-14x3 | RONDANA DE PLASTICO | 1 |
| 47 | GB/T119-B6x55 | PERNO | 1 |
| 48 | GB/T896-9 | ANILLO DE RETENCION | 1 |
| 49 | 3WF-3.1 | OBTURADOR | 1 |
| 50 | GB/T9074.13-M6x40 | TORNILLO | 4 |
| 51 | GB/T5783-M6x35 | PRENO | 2 |
| 52 | 3WF-3-23 | SOPORTE DEL TANQUE DE COMBUSTIBLE | 2 |
| 53 | 3WF-3-21 | TAPON | 1 |
| 54 | 3WF-3.17-1 | TANQUE PARA QUIMICOS | 1 |
| 55 | GB/T896-9 | ANILLO DE RETENCION | 1 |
| 56 | 3WF-3.6-4 | SOPORTE DEL BRAZO | 1 |
| 57 | 3WF-3.6-1 | PLACA DE DESLICE | 1 |
| 58 | 3WF-3.6-2 | JUNTA DE GOMA | 1 |
| 59 | 3WF-3.16.1 | CONJUNTO FILTRO | 1 |
| 60 | 3WF-3.16.2-3 | JUNTA TAPON | 1 |
| 61 | BG328.7-4 | FILTRO | 1 |
| 62 | 3WF-3.16.2-1 | TAPON | 1 |
| 63 | 3WF-3.16.2 | TAPON TANQUE DE COMBUSTIBLE | 1 |
| 64 | 3WF-3.16.2 | CONJUNTO TANQUE DE COMBUSTIBLE | 1 |
| 65 | 3WF-3.17.1-2 | TAPA | 1 |
| 66 | 3WF-3.17.1-1 | VALVULA DE AIRE | 1 |
| 67 | 3WF-3.17.1-3 | JUNTA DE LA TAPA | 1 |
| 68 | SG79-8X2 | TUBO | 1 |
| 69 | 3WF-3.16-1 | TANQUE DE COMBUSTIBLE | 1 |
| 70 | 3WF-3.20.1 | FILTRO TANQUE DE COMBUSTIBLE | 1 |
| 71 | 3WF-3-11 | CALCOMANIA | 1 |
| 72 | GB/T96.2-5 | RONDANA | 2 |
| 73 | GB/T818-M5x55 | TORNILLO | 2 |
| 74 | BG415-8 | ABRAZADERA | 2 |
| 75 | SG79-8x2 | MANGUERA DE COMBUSTIBLE | 1 |
| 76 | 3WF-3-2 | TUERCA | 2 |
| 77 | 3WF-3-10 | TORNILLO | 2 |
| 78 | GB/T1235-100x3.1 | ORING | 1 |
| 79 | 3WF-3-6 | TUBO SALIDA DE AIRE | 1 |
| 80 | 3WF-3.7-1 | JUNTA | 1 |

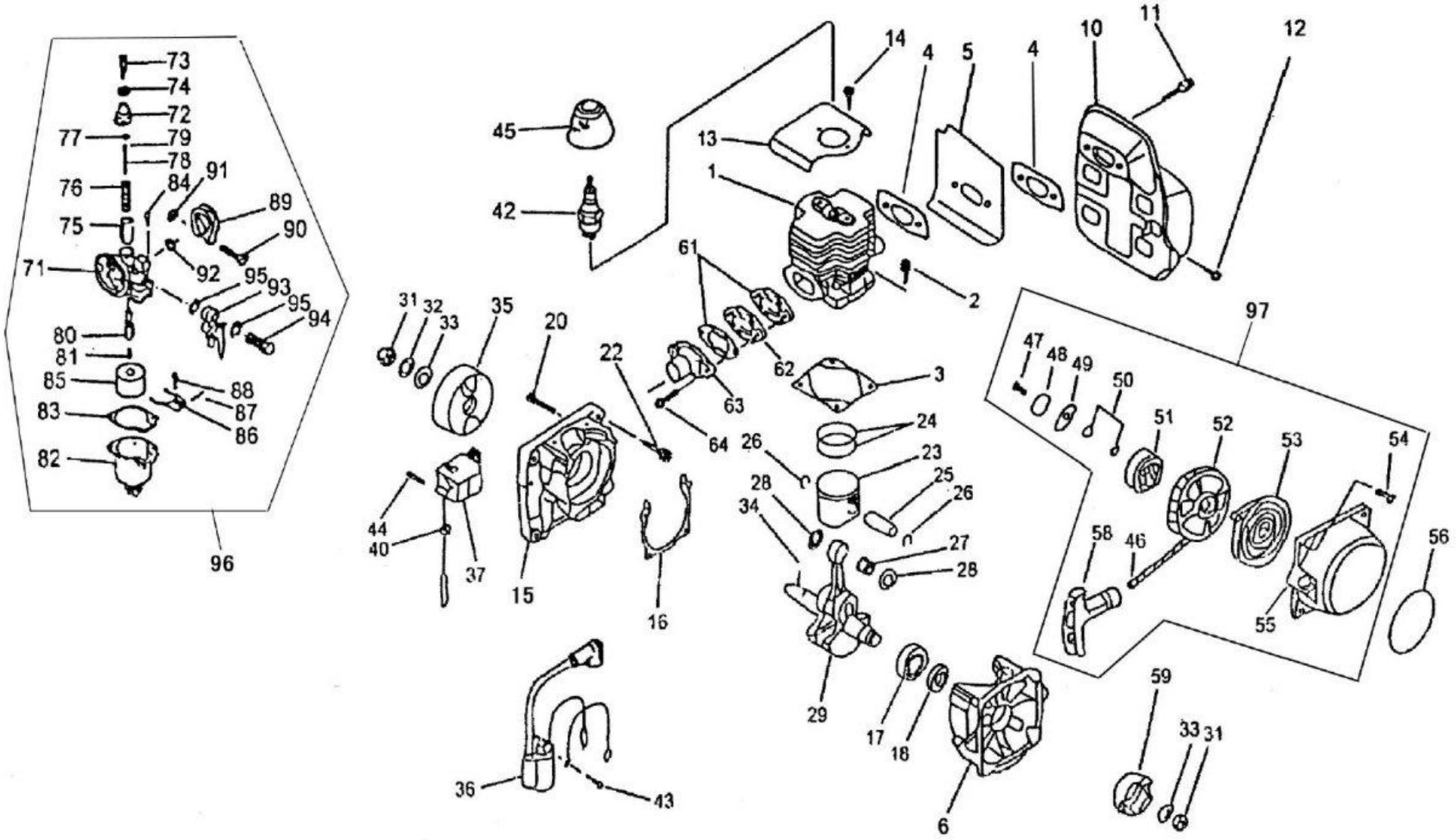
FUMIGADORA PARA LÍQUIDOS Y POLVO 3WF16



| No. DE CAT. | CODIGO | DESCRIPCION | CANTIDAD |
|-------------|------------------|-----------------------------------|----------|
| 81 | 3WF-3.20-2 | PLACA DE NEBULIZACION | 1 |
| 82 | 3WF-3.14 | CUBIERTA DERECHA DEL VENTILADOR | 1 |
| 83 | GB/T818-M5x30 | TORNILLO | 9 |
| 84 | GB/T9074.4-M5x25 | TORNILLO | 4 |
| 85 | 3WF-3-19 | CUBIERTA | 1 |
| 86 | 3WF-3.13 | CUBIERTA IZQUIERDA DEL VENTILADOR | 1 |
| 87 | GB/T96.2-8 | RONDANA | 2 |
| 88 | GB6170-M8 | TUERCA | 2 |
| 89 | GB/T5783-M8x45 | PERNO | 2 |
| 90 | GB/T9074.4-M6x25 | TORNILLO | 2 |
| 91 | 3WF-3-1 | PLACAS DE FIJACION | 2 |
| 92 | 3WF-3.7-2 | TAPA GUARDAPOLVO | 1 |
| 93 | 3WF-3.20-1 | MANGUERA | 1 |
| 94 | 3WF-2.6A.1-2 | DEFLECTOR DE POLVO | 1 |
| 95 | 3WF-3-24 | CALCOMANIA | 1 |
| 96 | 3WF-3.20.2-2 | CONECTOR | 1 |
| 97 | 3WF-3.17.2-2 | RONDANA DE PLASTICO | 1 |
| 98 | 3WF-3.17.2-1 | SELLO | 1 |
| 99 | 3WF-3.20.2-1 | JUNTA DEL CONECTOR | 1 |
| 100 | 3WF-3.19-1 | ABRAZADERA DEL TUBO DE AGUA | 4 |
| 101 | SG79-10X2 | TUBO | 1 |
| 102 | 3WF-3.19.1 | LLAVE DE PASO | 1 |
| 103 | GB97.1-8 | RONDANA | 12 |
| 104 | 3WF-3.19-3 | TUBO LARGO | 1 |
| 105 | 3WF-3.21-2 | EXTENCIÓN DEL TUBO | 1 |
| 106 | 3WF-3.21-1 | CONEXION DEL TUBO | 1 |
| 107 | 3WF-3.19.5 | 2 ABRAZADERA PARA TUBO | 1 |
| 112 | 3WF-3.19-4 | MANGUERA | 1 |
| 114 | 3WF-3.19.4 | 1 ABRAZADERA PARA TUBO | 1 |
| 115 | 3WF-3.19.2 | CONJUNTO DE CONECTOR | 1 |
| 116 | 3WF-3.19.2-1 | CONECTOR | 1 |
| 117 | GB/T1235-65X3.1 | ORING | 1 |
| 118 | 3WF-3.19.2-2 | TUBO | 1 |
| 119 | GB/T818-M5X12 | TORNILLO | 1 |
| 120 | 3WF-3.19-2 | ABRAZADERA | 1 |

| No. DE CAT. | CODIGO | DESCRIPCION | CANTIDAD |
|-------------|-----------------|--------------------------------|----------|
| 121 | SG79-10X2 | TUBO DE PLASTICO | 1 |
| 123 | 3WF-3.19.3.1-2 | BOQUILLA EN ESPIRAL | 1 |
| 124 | 3WF-3.19.3-5 | BOQUILLA DE CHORRO | 1 |
| 125 | 3WF-3.19.3-2 | JUNTA | 1 |
| 126 | 3WF-3.19.3-1 | RONDANA DE PALSTICO | 1 |
| 127 | 3WF-3.19.3-4 | TUBO DE TIRO | 1 |
| 128 | GB/T1235-16X2.4 | ORING | 1 |
| 129 | 3WF-3.19.3-3 | VALVULA DE AJUSTE | 1 |
| 130 | 3WF-3.19.3 | CONJUNTO DE BOQUILLA | 1 |
| 131 | GB9074.4-M6X16 | TORNILLO | 4 |
| 138 | 1E40FC.8 | CONJUNTO FILTRO DE AIRE | 1 |
| 139 | 1E40FC.8-1 | CUERPO FILTRO DE AIRE | 1 |
| 140 | 1E40FC.8-2 | FILTRO | 1 |
| 141 | 1E40FC.8-3 | DEFLECTOR FILTRO DE AIRE | 1 |
| 142 | TL-QYJ-01 | CALCOMANIA | 1 |
| 143 | 3WF-2.6A.1-1 | TANQUE | 1 |
| 147 | BG415-7 | TUBO PROTECTOR DE RESORTE | 1 |
| 148 | SG79-8X2 | TUBO DE COMBUSTIBLE | 1 |
| 149 | GB/T818-M5X16 | TRONILLO | 2 |
| 150 | 3WF-2.6.2-1 | TANQUE DE COMBUSTIBLE | 1 |
| 151 | 1E40FC.1-2 | RONDANA DE PALSTICO | 1 |
| 152 | 1E40FC.1.1 | FILTRO | 1 |
| 153 | 1E40FC.1 | CUBIERTA TANQUE DE COMBUSTIBLE | 1 |
| 154 | 3WF18-9.03 | TAPON TANQUE DE COMBUSTIBLE | 1 |
| 155 | 1E40FC.1-4 | TAPA DE PLASTICO | 1 |
| 156 | BG328.7-4 | FILTRO | 1 |
| 157 | 3WF-2.6A.1-4 | TAPA TANQUE DE COMBUSTIBLE | 1 |
| 159 | 3WF-2.6.2 | TANQUE DE COMBUSTIBLE | 1 |
| 160 | GB/T818-M5X25 | ENSAMBLE BOTON | 1 |
| 161 | 3WF-2.6.4-8 | ABRAZADERA | 2 |
| 162 | 3WF-3.19-1 | MANGO | 1 |
| 165 | 3WF-2.6A.1-3 | ARANDELA | 2 |
| 166 | 3WF-2.6A.1-5 | CONECTOR DEL TUBO | 1 |
| 167 | 3WF-2.6A.1-6 | JUNTA CONECTOR | 1 |

GUÍA BÁSICA DE PIEZAS



FUMIGADORA PARA LÍQUIDOS Y POLVO 3WF16



| No. DE CAT. | CODIGO | DESCRIPCION | CANTIDAD |
|-------------|------------------|-----------------------|----------|
| 1 | 1E40FP-3Z-7 | CILINDRO | 1 |
| 2 | GB/T70.1-M5×20 | TORNILLO | 4 |
| 3 | 1E40FP-3Z-6 | JUNTA CILINDRO | 1 |
| 4 | 1E40FP-3Z-18 | JUNTA CARBURADOR | 2 |
| 5 | 1E40FP-3Z-5 | JUNTA | 1 |
| 6 | 1E40FP-3Z-12 | CARCAZA IZQUIERDA | 1 |
| 10 | 1E40FP-3Z.2 | CARCAZA DERECHA | 1 |
| 11 | GB70.1-M6×35 | TORNILLO | 2 |
| 12 | GB/T9074.4-M5×12 | TORNILO | 1 |
| 13 | 1E40FP-3Z-8 | CUBIERTA CILINDRO | 1 |
| 14 | GB/T9074.4-M5×10 | TORNILLO | 2 |
| 15 | 1E40FP-3Z-14 | CARCAZA DERECHA | 1 |
| 16 | 1E40FP-3Z-13 | JUNTA CARCAZA | 1 |
| 17 | GB/T276-6202/P5 | BALERO | 2 |
| 18 | 1E40FP-3Z-11 | SELLO DE ACEITE | 2 |
| 20 | GB/T 70.1-M5×30 | TORNILLO | 4 |
| 22 | GB/T 5783-M6×30 | TORNILLO | 4 |
| 23 | 1E40FP-3Z.3-2 | PISTON | 1 |
| 24 | 1E40FP-3Z.3-5 | JUEGO DE ANILLOS | 2 |
| 25 | 1E40FP-3Z.3-3 | PERNO PISTON | 1 |
| 26 | 1E40FP-3Z.3-4 | SEGURO PERNO PISTON | 2 |
| 27 | 1E40FP-3Z.3.2 | BELERO DE AGUJAS | 1 |
| 28 | 1E40FP-3Z.3-6 | RONDANAS DE SEGURIDAD | 2 |
| 29 | 1E40FP-3Z.3.1 | CIGÜEÑAL | 1 |
| 31 | 1E40FP-3Z-16 | TUERCA | 2 |
| 32 | GB/T 859-10 | RONDANA | 2 |
| 33 | GB/T 97.1-10 | RONDANA | 2 |

| | | | |
|----|-------------------|--|---|
| 34 | 1E40FP-3Z.3-1 | CUÑA MEDIA LUNA | 1 |
| 35 | 1E40FP-3Z.5 | ROTOR | 1 |
| 36 | 1E40FP-3Z.5 | BOBINA DE ENCENDIDO | 1 |
| 37 | 1E40FP-3Z.5 | BOBINA | 1 |
| 40 | 1E40FP-3Z-20 | GROMET | 1 |
| 42 | 4106J | BUJIA | 1 |
| 43 | GB/T 845-ST4.2×16 | TORNILLO | 2 |
| 44 | GB/T 70.1-M4×25 | TORNILLO | 1 |
| 45 | 1E40FP-3Z-9 | TAPON DE BUJIA | 1 |
| 46 | 1E40FP-3Z.4-9 | CUERDA DE RETRACTIL | 1 |
| 47 | GB/T 67-M5×12 | TORNILLO | 1 |
| 48 | 1E40FP-3Z.4-4 | RONDANA | 1 |
| 49 | 1E40FP-3Z.4-5 | GUIA DESLIZADORA | 1 |
| 50 | GB860-8 | RONDANA | 1 |
| 51 | 1E40FP-3Z.4-8 | POLEA | 1 |
| 52 | 1E40FP-3Z.4-6 | RIEL | 1 |
| 53 | 1E40FP-3Z.4-7 | RESORTE ESPIRAL | 1 |
| 54 | GB/T 9074.4-M5×20 | TORNILLO | 4 |
| 55 | 1E40FP-3Z.4-1 | CUBIERTA RETARCTIL | 1 |
| 56 | 1E40FP-3Z-17 | CALCOMANIA | 1 |
| 58 | 1E40FP-3Z.4-2 | MANIJA RETRACTIL | 1 |
| 59 | 1E40FP-3Z-19 | UÑAS RETRACTIL | 1 |
| 61 | 1E40FP-3Z-4 | JUNTA | 2 |
| 62 | 1E40FP-3Z-3 | INSULADOR | 1 |
| 63 | 1E40FP-3Z-2 | MANIFOLD | 1 |
| 64 | GB/T 9074.4-M5×25 | TORNILLO | 1 |
| 96 | 1E40FP-3Z.01 | CONJUNTO CARBURADOR (PARTES 71 A 95) | 1 |
| 97 | 1E40FP-3Z.4 | CONJUNTO RETRACTIL (PARTES 46 A 55 Y 58) | 1 |

GUÍA BÁSICA DE PIEZAS